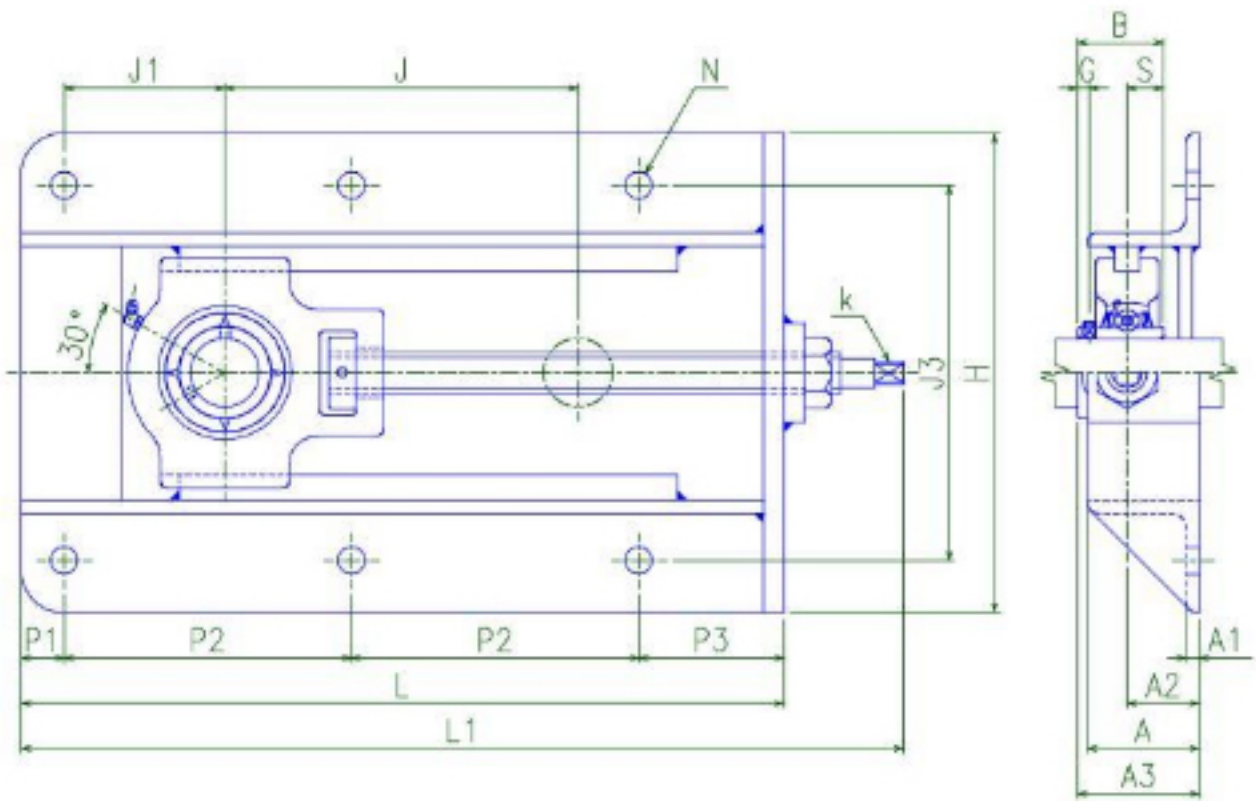


NTN UCT208-30D1参数

| | | | | |
|----------|-------|--------------|-----|----------|
| 轴径 | SD | 40 | mm | 轴径 |
| 型号 | UN | UCT208-30D1 | | 轴承座型号 |
| 尺寸 | L | 520 | mm | - |
| | H | 233 | mm | - |
| | J | 300 | mm | - |
| | J1 | 88 | mm | - |
| | J3 | 192 | mm | - |
| | A1 | 6 | mm | - |
| | A2 | 32 | mm | - |
| | A | 50 | mm | - |
| | P1 | 22 | mm | - |
| | P2 | 217 | mm | - |
| | P3 | 64 | mm | - |
| | N | 12 | mm | - |
| | L1 | 596 | mm | - |
| | A3 | 62.2 | mm | - |
| | K | 15 | mm | - |
| | AS | TM25x5 | | - |
| | B | 49.2 | mm | - |
| | S | 19.0 | mm | - |
| | G | 8.0 | mm | - |
| | SS | M8x1 | | 螺纹规格 |
| FB | M10 | | 螺孔 | |
| 调整方向允许载荷 | ALAD | 15690 | N | 调整方向允许载荷 |
| | ALLAD | 1600 | kgf | 调整方向允许载荷 |
| 尺寸 | GNP | GB-1/4-28UNF | | 油嘴 |
| 轴承型号 | NNB | UC208D1 | | 轴承型号 |
| 基本额定载荷 | BLR | 29100 | N | 动载荷 |
| | BSLR | 17800 | N | 静载荷 |
| | CBLR | 2970 | kgf | 动载荷 |
| | CBSLR | 1820 | kgf | 静载荷 |
| 重量 | MASS | 11000 | g | 重量 |

NTN UCT208-30D1图片



参考资料:<http://www.sozhou.com/p/cd069240.html>