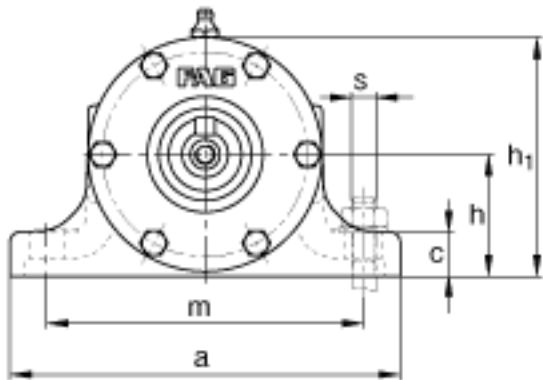
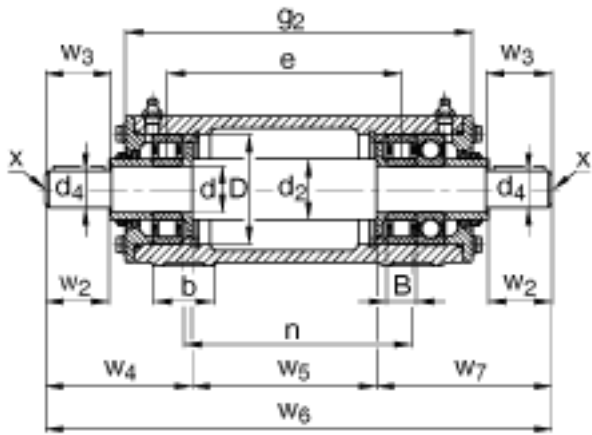


FAG VRE319-E参数

| | | | | |
|----------------|----------------|---------------------|----|------------|
| 尺寸 | d | 95 | mm | - |
| | a | 400 | mm | - |
| | h ₁ | 248 | mm | - |
| | g ₂ | 633 | mm | - |
| | B | 45 | mm | - |
| | b | 90 | mm | - |
| | c | 35 | mm | - |
| | D | 200 | mm | - |
| | d ₂ | 110 | mm | - |
| | d ₄ | 85 | mm | - |
| | e | 496 | mm | - |
| | h | 125 | mm | - |
| | m | 320 | mm | - |
| | n | 480 | mm | - |
| | s | M20 | | - |
| | w ₂ | 170 | mm | - |
| | w ₃ | 173 | mm | - |
| | w ₄ | 269 | mm | - |
| | w ₅ | 425 | mm | - |
| | w ₆ | 1008 | mm | - |
| w ₇ | 314 | mm | - | |
| 说明 | | NU319-E-TVP2 | | 型号, 轴承, 左侧 |
| | | NU319-E-TVP2 + 6319 | | 型号, 轴承, 右侧 |
| | | VR319-E | | 轴承座 |
| | | VRW319-C | | 轴, 完全 |
| 重量 | m ₁ | 86000 | g | 质量, 轴承座 |
| | m ₂ | 164000 | g | 质量, 单元 |
| 说明 | | VRE3 | | 型号, 轴承单元系列 |

FAG VRE319-E图片



参考资料:<http://www.sozhou.com/p/d7fbf722.html>