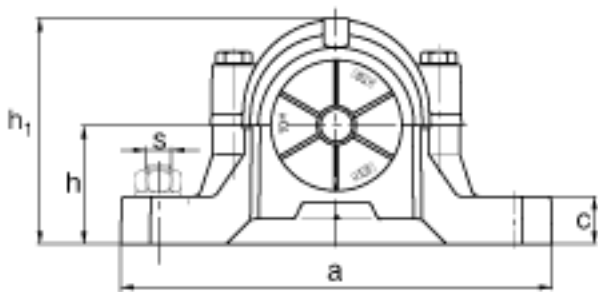
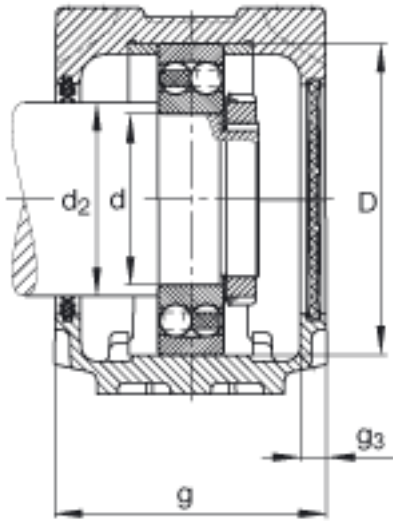
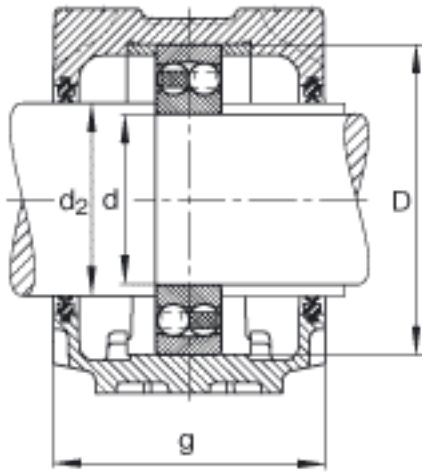


FAG SNV100-F-L + 1309 + DH309参数

|    |       |            |      |          |
|----|-------|------------|------|----------|
| 尺寸 | d     | 45         | mm   | -        |
|    | a     | 255        | mm   | -        |
|    | $h_1$ | 133        | mm   | -        |
|    | g     | 105        | mm   | -        |
|    | b     | 70         | mm   | -        |
|    | c     | 28         | mm   | -        |
|    | D     | 100        | mm   | -        |
|    | $d_2$ | 55         | mm   | -        |
|    | $g_3$ | 12.5       | mm   | -        |
|    | h     | 70         | mm   | -        |
|    | m     | 210        | mm   | -        |
|    | s     | M16        |      | -        |
|    | s     | 15.875     | mm   | -        |
|    | u     | 18         | mm   | -        |
|    | v     | 23         | mm   | -        |
|    | 重量    | $m_1$      | 4300 | g        |
| 说明 |       | 1309       |      | 型号, 轴承   |
|    |       | KM9        |      | 型号, 锁紧螺母 |
|    |       | MB9        |      | 型号, 爪式垫圈 |
|    |       | FRM100/9.5 |      | 型号, 定位圈  |
|    |       | DH309      |      | 型号, 双唇密封 |
|    |       | DKV100     |      | 型号, 端盖   |
|    |       | SNV100-F-L |      | 型号, 轴承座  |

FAG SNV100-F-L + 1309 + DH309图片





参考资料:<http://www.sozhou.com/p/d8a4dfd1.html>

