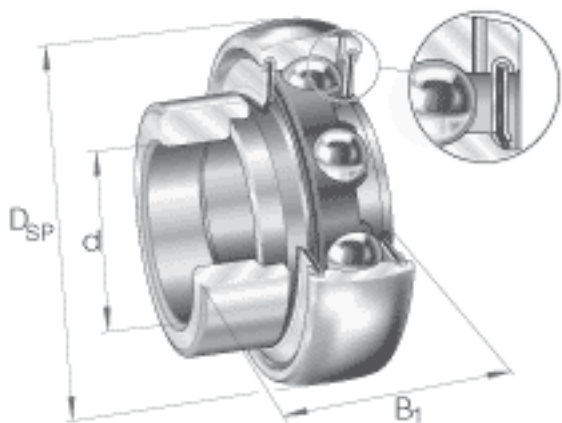


INA GRA203-NPP-B-AS2/V参数

| | | | | | |
|----------|----------|---------|-------|------------|------------|
| 尺寸 | d | 55.5625 | mm | - | |
| | D_{SP} | 100 | mm | - | |
| | B_1 | 48.4 | mm | - | |
| | B | 32.512 | mm | - | |
| | C | 24.9936 | mm | - | |
| | C_a | 7.0104 | mm | - | |
| | d_2 | 65.9892 | mm | - | |
| | d_3 | 75.9968 | mm | - | |
| | S | 11.9888 | mm | - | |
| | W | 12.7 | mm | - | |
| | 重量 | m | 810 | g | 质量 |
| | 基本额定载荷 | C_r | 43500 | N | 基本额定动载荷，径向 |
| C_{0r} | | 29000 | N | 基本额定静载荷，径向 | |
| 说明 | | | | 经协商，可以供货 | |

INA GRA203-NPP-B-AS2/V图片



参考资料:<http://www.sozhou.com/p/d8c987e3.html>

