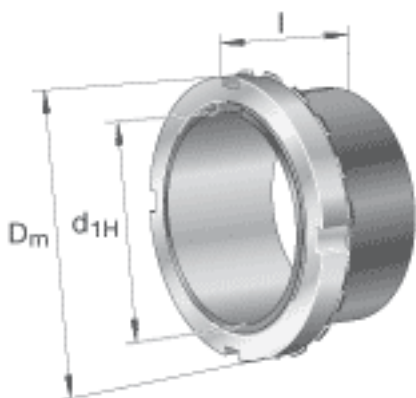


FAG H33/750-HG参数

| | | | | |
|----|----------|----------|----|-----------|
| 尺寸 | d_{1H} | 710 | mm | - |
| | D_m | 950 | mm | - |
| | l | 688 | mm | - |
| | c | 112 | mm | - |
| | c_1 | 137 | mm | - |
| | d | 750 | mm | - |
| | d_{2G} | Tr750x7 | mm | - |
| | e | 8 | mm | - |
| | R_o | G1/8 | | - |
| | t | 12 | mm | - |
| 说明 | | 710 | mm | 轴 |
| | | HM31/750 | | 型号, 螺母 |
| | | MS31/750 | | 型号, 止动装置 |
| | | M24X45 | | 型号, 六角头螺栓 |
| 重量 | m | 574000 | g | 质量 |

FAG H33/750-HG图片





参考资料:<http://www.sozhou.com/p/d8e15fe6.html>