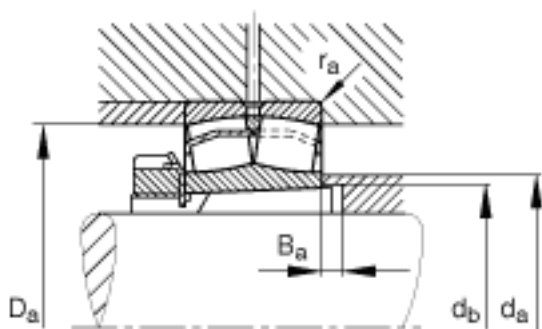
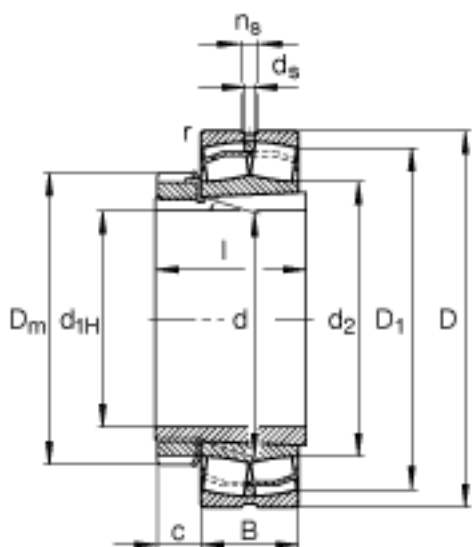
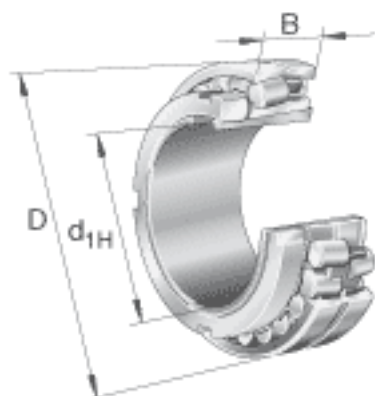


FAG 23130-E1A-K-M + H3130参数

| | | | | |
|--------|--------------|---------|-------|-------------|
| 尺寸 | d_{1H} | 135 | mm | - |
| | D | 250 | mm | - |
| | B | 80 | mm | - |
| | $B_{a \min}$ | 0 | mm | - |
| | c | 26 | mm | - |
| | D_1 | 220.8 | mm | - |
| | $D_{a \max}$ | 238 | mm | - |
| | D_m | 195 | mm | - |
| | d | 150 | mm | - |
| | $d_{a \max}$ | 0 | mm | - |
| | $d_{b \min}$ | 160 | mm | - |
| | d_s | 6.3 | mm | - |
| | l | 111 | mm | - |
| | n_s | 12.2 | mm | - |
| | $r_{a \max}$ | 2.1 | mm | - |
| | r_{\min} | 2.1 | mm | - |
| 说明 | | H3130 | | 质量, 紧定套 |
| 重量 | m | 15800 | g | 质量 |
| | m_1 | 5600 | g | 质量, 紧定套 |
| 基本额定载荷 | C_r | 1000000 | N | 基本额定动载荷, 径向 |
| 计算系数 | e | 0.29 | | - |
| | Y_1 | 2.32 | | - |
| | Y_2 | 3.45 | | - |
| 基本额定载荷 | C_{0r} | 1330000 | N | 基本额定静载荷, 径向 |
| 计算系数 | Y_0 | 2.26 | | - |
| 极限转速 | n_G | 2650 | r/min | 极限转速 |
| 参考转速 | n_B | 1750 | r/min | 参考速度 |

FAG 23130-E1A-K-M + H3130图片



参考资料：<http://www.sozhou.com/p/d9dd59a4.html>