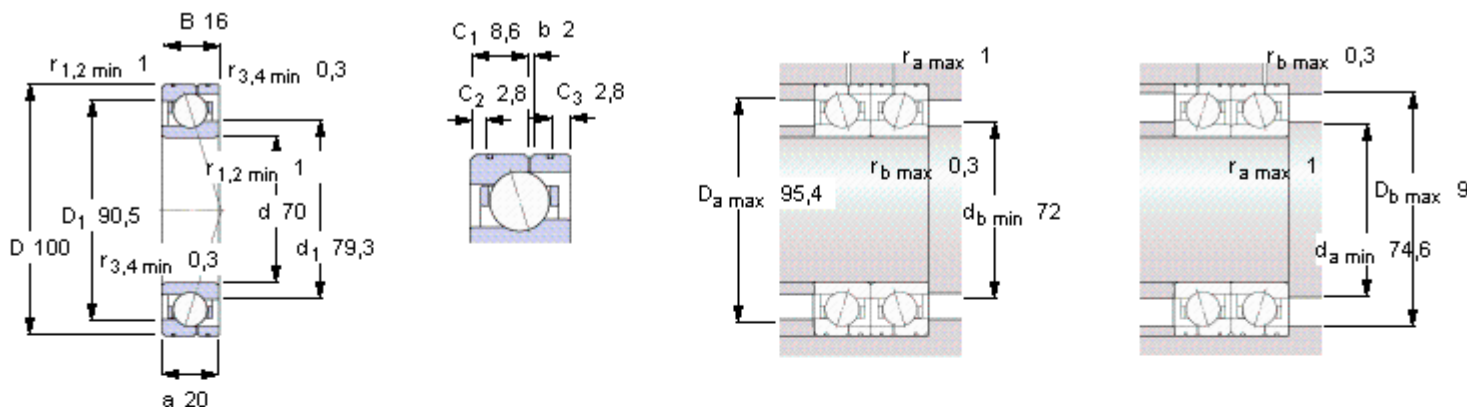


SKF 71914 CE/P4AL 参数

主要尺寸	d	70	mm	-
	D	100	mm	-
	B	16	mm	-
基本额定载荷	C	22100	N	动载荷
	C_0	16300	N	静载荷
疲劳载荷极限	P_u	680	N	-
可达转速	Grease	18500	r/min	-
	Oil-air	28000	r/min	-
重量	重量	320	g	-
型号	型号	71914 CE/P4AL	-	-

SKF 71914 CE/P4AL 图片



Ball diameter 9,525

Number of balls 22

未安装时的预载荷 [N]

背对背配置，面对面配置

预载荷等级

A	B	C	D
120	360	710	-

Static axial stiffness [N/μm]

(guideline value)

预载荷等级

A	B	C	D
52	83	113	-

Reference grease quantity [cm³]

G_{ref} 4,3

计算系数

for equivalent bearing load

f_0 8,4

for preload in mounted bearing sets

f 1,14

f_1 1

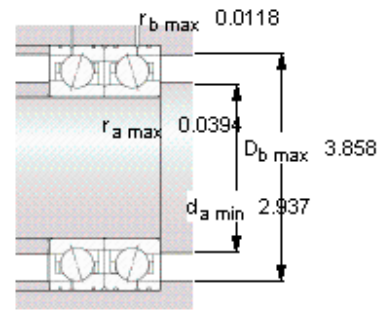
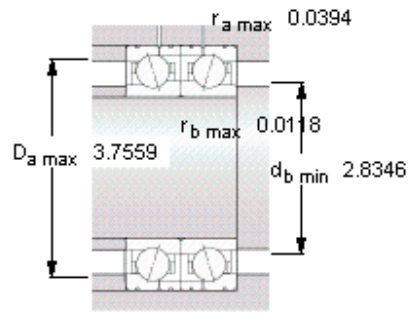
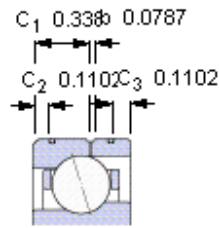
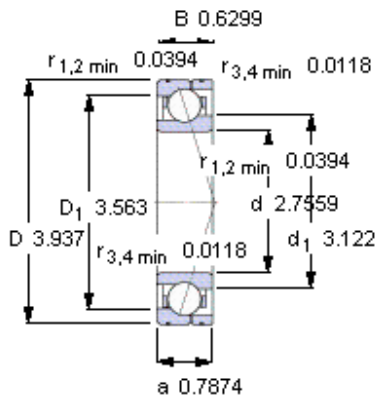
f_{2A} 1

f_{2B} 1,04

f_{2C} 1,08

f_{2D} -

f_{HC} 1



Ball diameter 9,525

Number of balls 22

未安装时的预载荷 [N]

背对背配置，面对面配置

预载荷等级

A	B	C	D
120	360	710	-

Static axial stiffness [N/μm]

(guideline value)

预载荷等级

A	B	C	D
52	83	113	-

Reference grease quantity [cm³]

G_{ref} 4,3

计算系数

for equivalent bearing load

f₀ 8,4

for preload in mounted bearing sets

f 1,14

f₁ 1

f_{2A} 1

f_{2B} 1,04

f_{2C} 1,08

f_{2D} -

f_{HC} 1