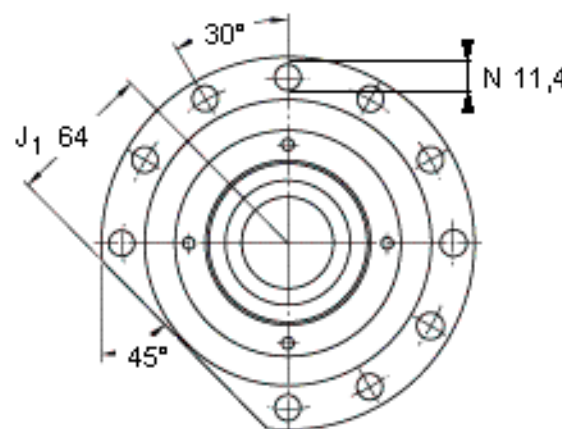
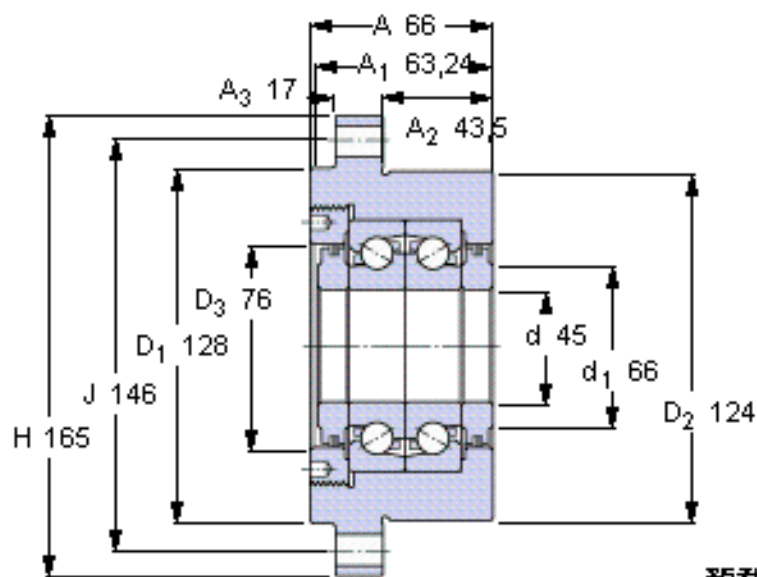


SKF FBSA 209/DF参数

主要尺寸	d	45	mm	-
	H	165	mm	-
	A	66	mm	-
基本额定载荷	C	45000	N	动载荷
	C_0	134000	N	静载荷
疲劳载荷极限	P_u	4900	N	-
可达转速	预载荷等级	5040	r/min	-
	预载荷等级	2520	r/min	-
重量	重量	5900	g	-
型号	型号	FBSA 209/DF	-	-

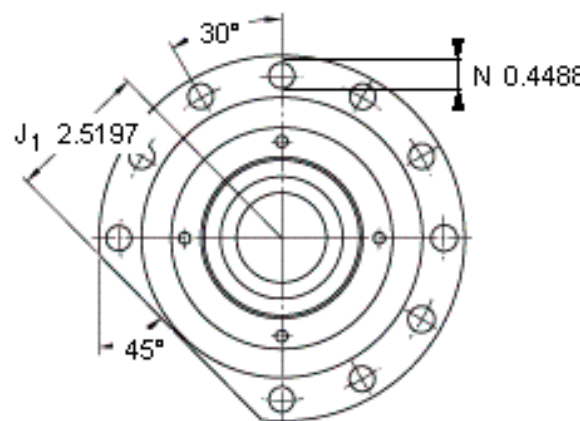
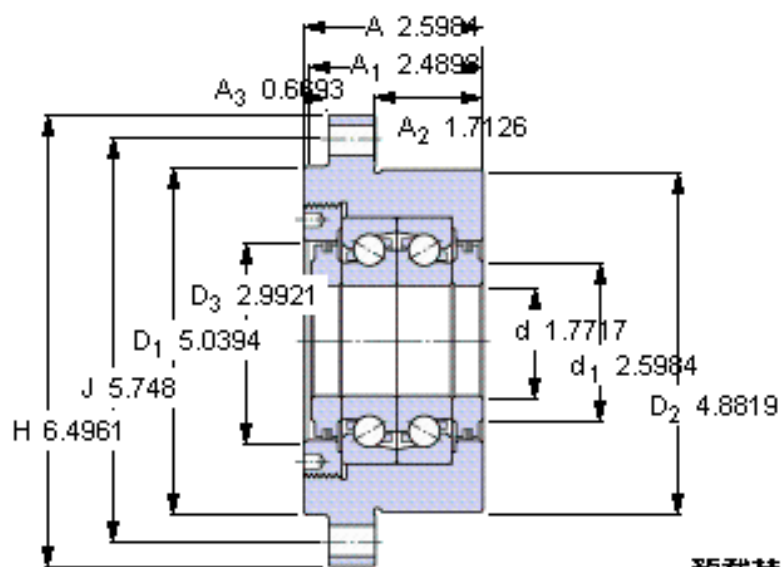
SKF FBSA 209/DF图片



	预载荷等级	
	A	B
Preload¹⁾ [N]	3750	7500
Frictional moment¹⁾ [Nm] (guideline value)	0,23	0,52
Static axial stiffness¹⁾ [N/μm] (guideline value)	1290	1640

¹⁾ Values apply to unmounted cartridge unit

参考资料: <http://www.sozhou.com/p/e00bd077.html>



预载荷等级

	A	B
Preload¹⁾ [N]	3750	7500
Frictional moment¹⁾ [Nm] (guideline value)	0,23	0,52
Static axial stiffness¹⁾ [N/μm] (guideline value)	1290	1640

Preload¹⁾ [N]

Frictional moment¹⁾ [Nm]

(guideline value)

Static axial stiffness¹⁾ [N/μm]

(guideline value)

¹⁾ Values apply to unmounted cartridge unit