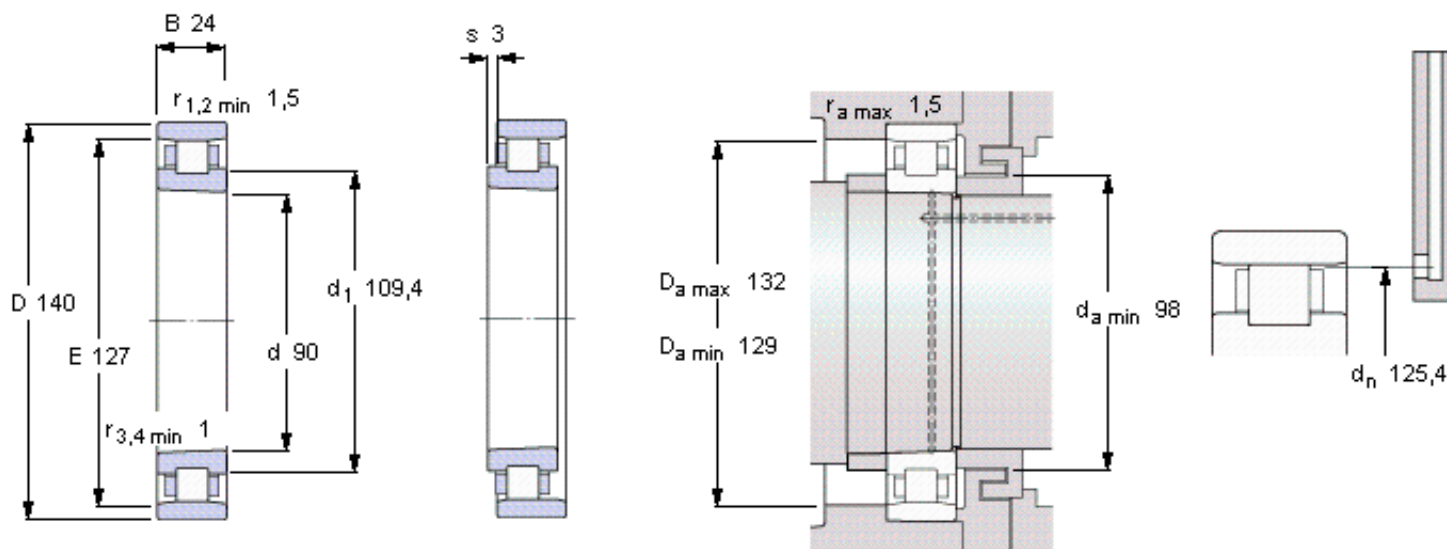


SKF N 1018 KTN9/SP参数

| | | | | |
|--------|---------|----------------|-------|-----|
| 主要尺寸 | d | 90 | mm | - |
| | D | 140 | mm | - |
| | B | 24 | mm | - |
| 基本额定载荷 | C | 79200 | N | 动载荷 |
| | C_0 | 108000 | N | 静载荷 |
| 疲劳载荷极限 | P_u | 12900 | N | - |
| 极限转速 | Grease | 7000 | r/min | - |
| | Oil-air | 8000 | r/min | - |
| 重量 | 重量 | 1200 | g | - |
| 型号 | 型号 | N 1018 KTN9/SP | - | - |

SKF N 1018 KTN9/SP图片



Tapered bore, taper 1:12

Reference grease quantity [cm³]

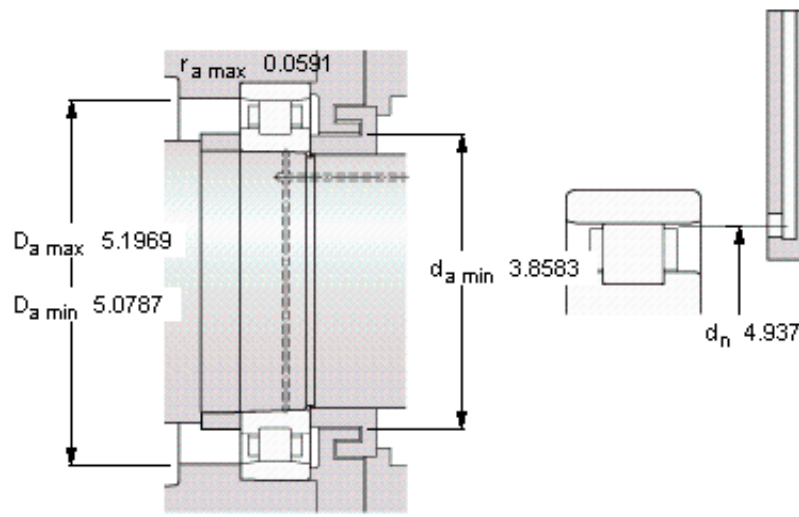
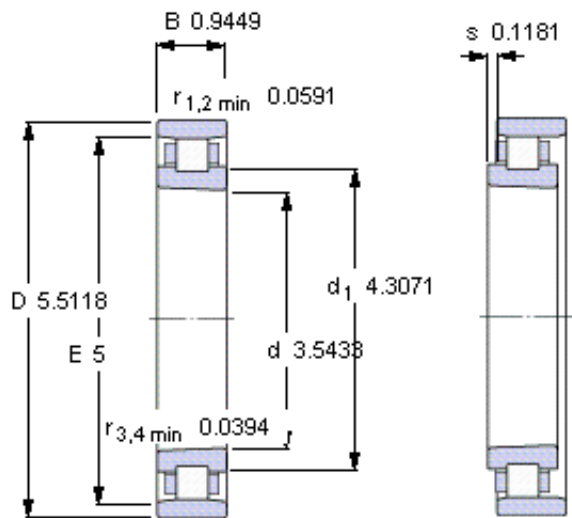
G_{ref} 12

Static radial stiffness [N/μm]

(guideline value)

980

参考资料: <http://www.sozhou.com/p/e820d5c2.html>



Tapered bore, taper 1:12

Reference grease quantity [cm³]

G_{ref} 12

Static radial stiffness [N/μm]

(guideline value)

980