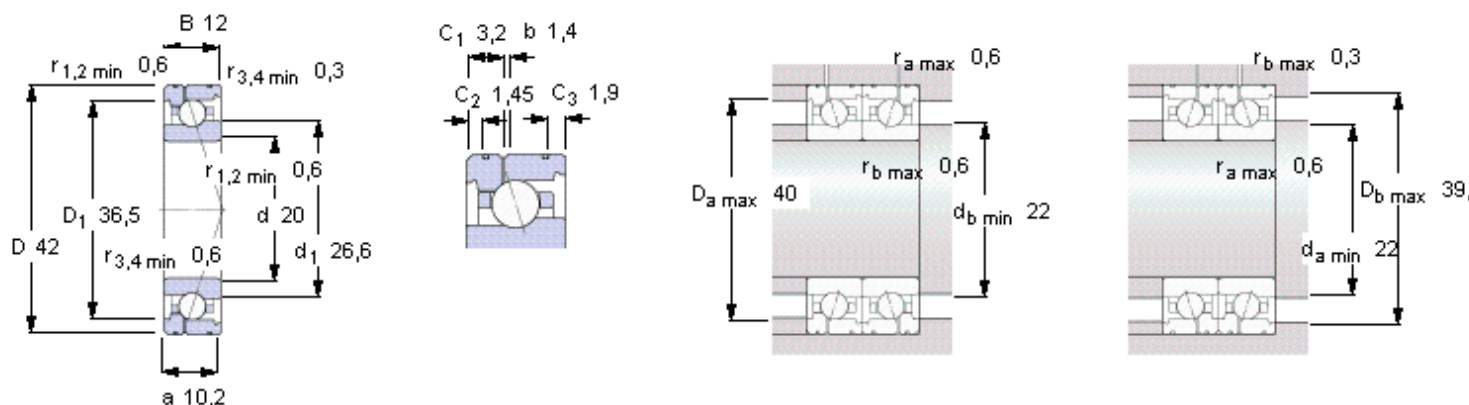


SKF 7004 CE/P4AL1参数

主要尺寸	d	20	mm	-
	D	42	mm	-
	B	12	mm	-
基本额定载荷	C	7410	N	动载荷
	C_0	3350	N	静载荷
疲劳载荷极限	P_u	143	N	-
可达转速	Grease	54000	r/min	-
	Oil-air	83000	r/min	-
重量	重量	64	g	-
型号	型号	7004 CE/P4AL1	-	-

SKF 7004 CE/P4AL1图片



Ball diameter 6,35
Number of balls 12

未安装时的预载荷 [N]
背对背配置，面对面配置
预载荷等级

A	B	C	D
40	120	235	-

Static axial stiffness [N/ μm]
(guideline value)

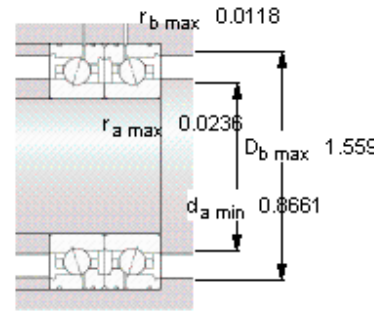
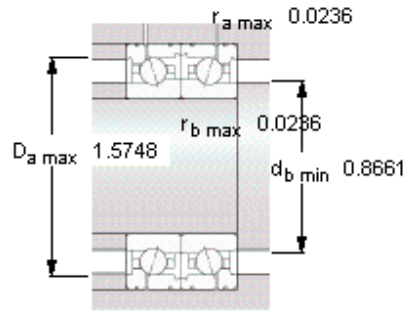
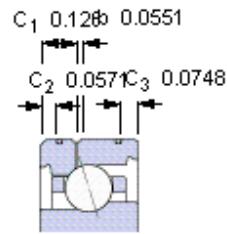
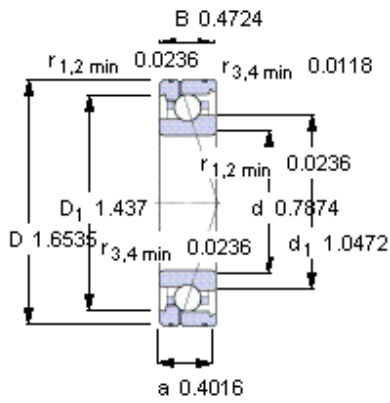
A	B	C	D
21	32	44	-

Reference grease quantity [cm³]
 G_{ref} 1,1

计算系数
for equivalent bearing load
 f_0 7,2

for preload in mounted bearing sets
 f 1,04
 f_1 1
 f_{2A} 1
 f_{2B} 1,03
 f_{2C} 1,05
 f_{2D} -
 f_{HC} 1

参考资料: <http://www.sozhou.com/p/ee1a64ed.html>



Ball diameter 6,35

Number of balls 12

未安装时的预载荷 [N]

背对背配置，面对面配置

预载荷等级

A	B	C	D
40	120	235	-

Static axial stiffness [N/μm]

(guideline value)

预载荷等级

A	B	C	D
21	32	44	-

Reference grease quantity [cm³]

G_{ref} 1,1

计算系数

for equivalent bearing load

f₀ 7,2

for preload in mounted bearing sets

f 1,04

f₁ 1

f_{2A} 1

f_{2B} 1,03

f_{2C} 1,05

f_{2D} -

f_{HC} 1