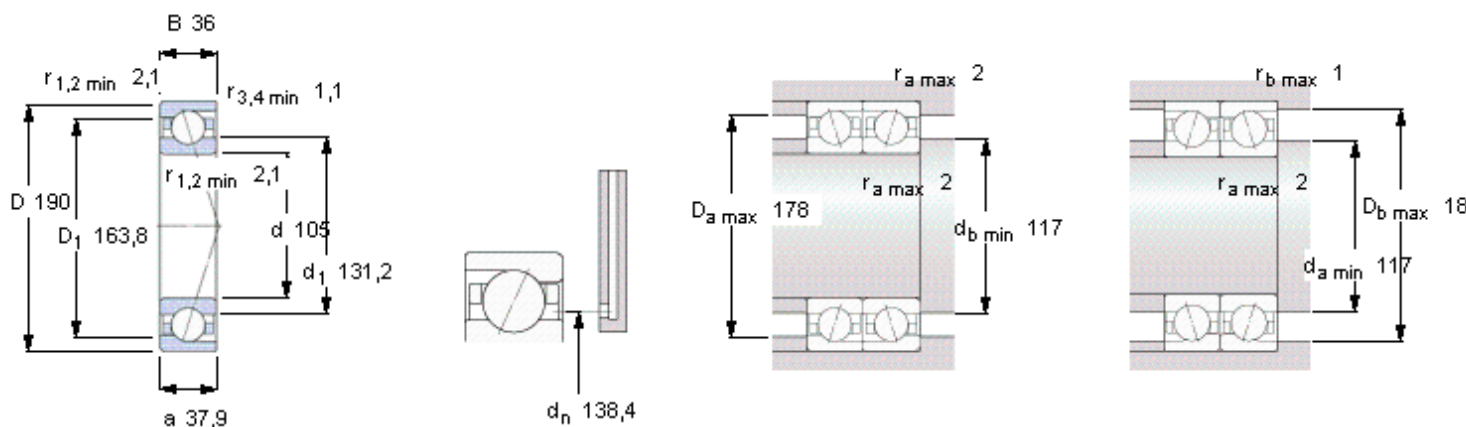


SKF 7221 CD/P4A参数

主要尺寸	d	105	mm	-
	D	190	mm	-
	B	36	mm	-
基本额定载荷	C	172000	N	动载荷
	C_0	153000	N	静载荷
疲劳载荷极限	P_u	5300	N	-
可达转速	Grease	7500	r/min	-
	Oil-air	12000	r/min	-
重量	重量	3850	g	-
型号	型号	7221 CD/P4A	-	-

SKF 7221 CD/P4A图片



Ball diameter 26,988

Number of balls 15

未安装时的预载荷 [N]

背对背配置，面对面配置

预载荷等级

A	B	C	D
650	1300	2600	5200

Static axial stiffness [N/ μm]

(guideline value)

预载荷等级

A	B	C	D
129	174	243	349

Reference grease quantity [cm³]

G_{ref} 48

计算系数

for equivalent bearing load

f_0 14,5

for preload in mounted bearing sets

f 1,08

f_1 1

f_{2A} 1

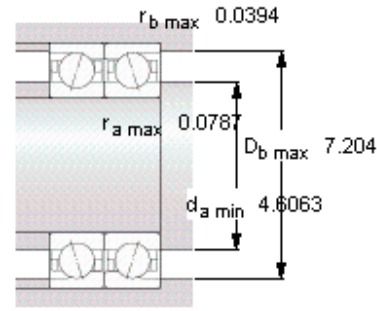
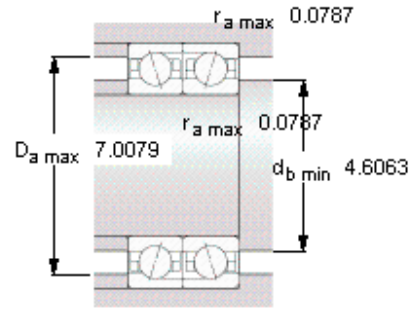
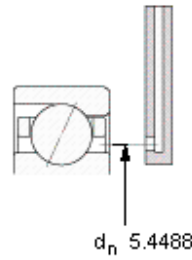
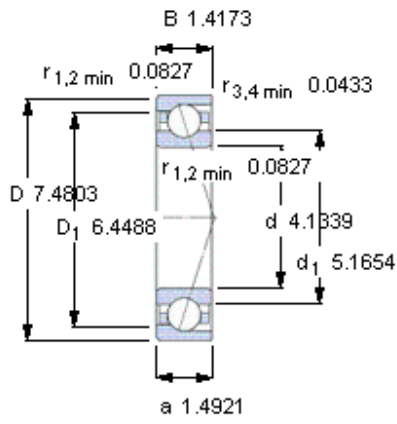
f_{2B} 1,01

f_{2C} 1,03

f_{2D} 1,05

f_{HC} 1

参考资料: <http://www.sozhou.com/p/f12e17bb.html>



Ball diameter 26,988

Number of balls 15

未安装时的预载荷 [N]

背对背配置，面对面配置

预载荷等级

A	B	C	D
650	1300	2600	5200

Static axial stiffness [N/μm]

(guideline value)

预载荷等级

A	B	C	D
129	174	243	349

Reference grease quantity [cm³]

G_{ref} 48

计算系数

for equivalent bearing load

f₀ 14,5

for preload in mounted bearing sets

f 1,08

f₁ 1

f_{2A} 1

f_{2B} 1,01

f_{2C} 1,03

f_{2D} 1,05

f_{HC} 1