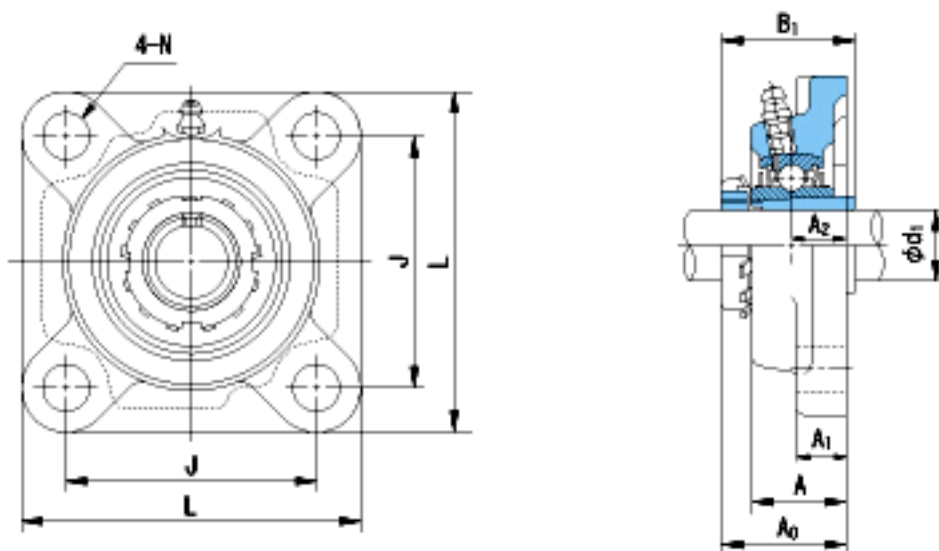


NACHI UKF310+H2310参数

| | | | | | |
|------|--------|-------|-------|-----|-----|
| 外形尺寸 | L | 175 | mm | - | |
| | J | 132 | mm | - | |
| | N | 23 | mm | - | |
| 安装尺寸 | d1 | 45 | mm | - | |
| | A1 | 19 | mm | - | |
| | A2 | 28 | mm | - | |
| | B1 | 55 | mm | - | |
| | A | 48 | mm | - | |
| | A0 | 60 | mm | - | |
| | 重量 | Mass | 4800 | g | 重量 |
| | 基本额定载荷 | Cr | 61500 | N | 动载荷 |
| Cor | | 38200 | N | 静载荷 | |
| 极限速度 | Grease | - | r/min | 脂润滑 | |
| | Oil | - | r/min | 油润滑 | |

NACHI UKF310+H2310图片



参考资料:<http://www.sozhou.com/p/f138a113.html>