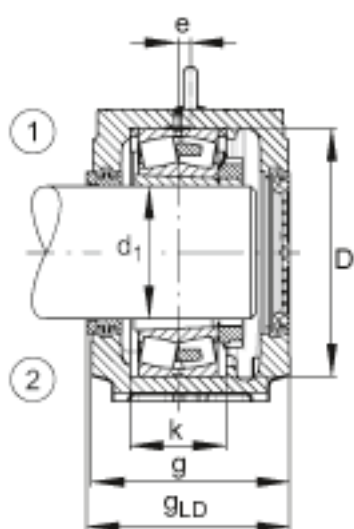
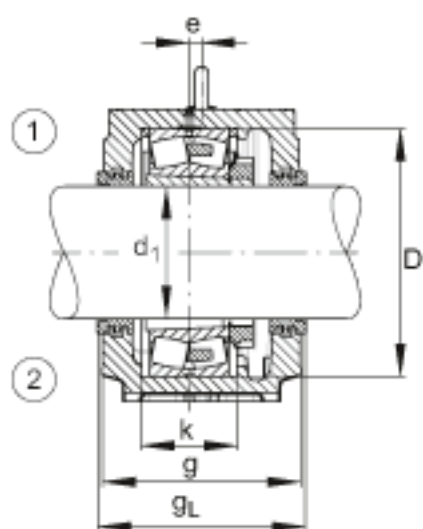
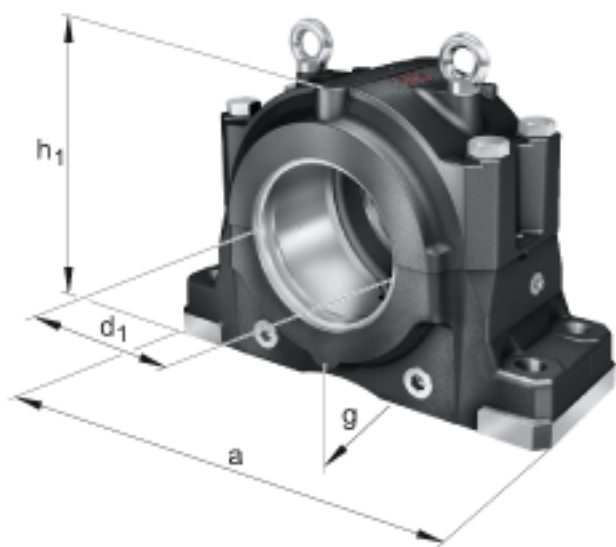
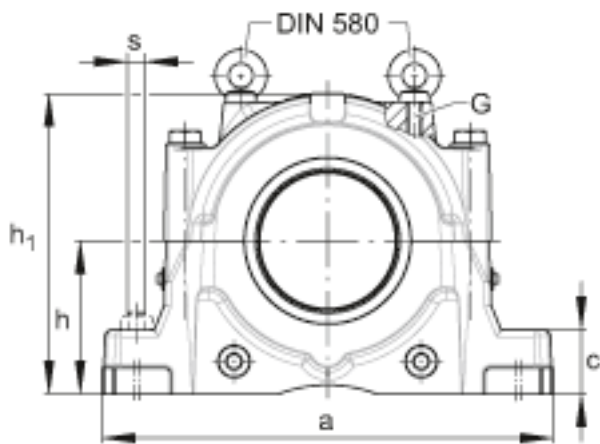
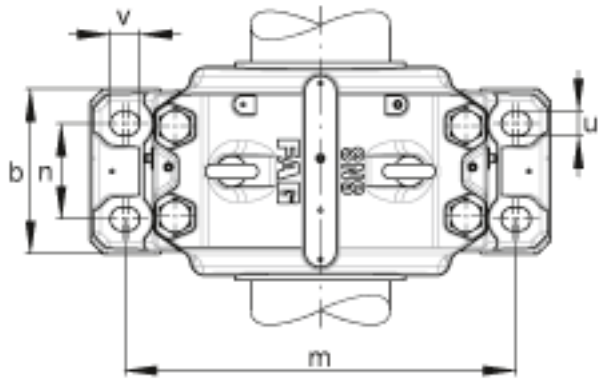


FAG SNS3276-H-D + 23276K + H3276-HGX1400 + 2 NFR680/10 + NTS92X1400 + NDK92参数

| | | | | |
|----|-----------------|---------------|-----|------------------|
| 尺寸 | k | 260 | mm | - |
| | m | 1000 | mm | - |
| | n | 260 | mm | - |
| | s | 42 | mm | - |
| | u | 48 | mm | - |
| | v | 60 | mm | - |
| 重量 | m | 788000 | g | 质量 |
| 说明 | | 23276K | | 轴承 |
| | | H3276-HGX1400 | | 紧定套 |
| | | NFR680/10 | | 固定环 2件 |
| | | NTS92X1400 | | 迷宫式密封 |
| | | NDK92 | | 端盖 |
| | | M42 | | 符合DIN 580标准的带孔螺栓 |
| | SNS3276-H-D | | 轴承座 | |
| 尺寸 | d ₁ | 355.6 | mm | - |
| | a | 1170 | mm | - |
| | h ₁ | 810 | mm | - |
| | g | 460 | mm | - |
| 说明 | 1) | | | 定位轴承 |
| | 2) | | | 浮动轴承 |
| 尺寸 | b | 420 | mm | - |
| | c | 130 | mm | - |
| | D | 680 | mm | - |
| | e | 35 | mm | - |
| | g _L | 471 | mm | - |
| | g _{LD} | 465.5 | mm | - |
| | h | 410 | mm | - |

FAG SNS3276-H-D + 23276K + H3276-HGX1400 + 2 NFR680/10 + NTS92X1400 + NDK92图片





参考资料:<http://www.sozhou.com/p/f15426d1.html>