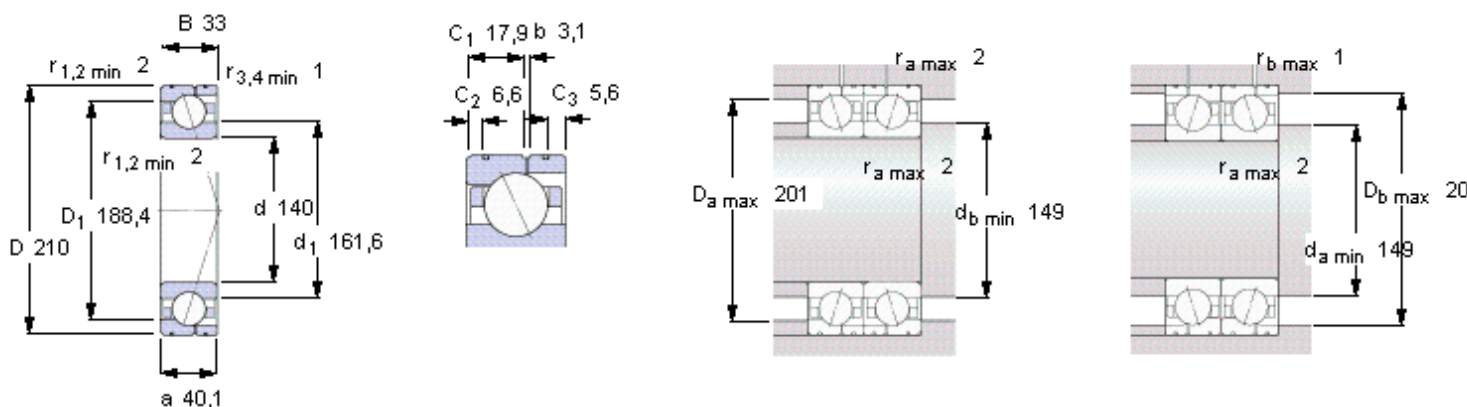


SKF 7028 CD/HCP4AL 参数

主要尺寸	d	140	mm	-
	D	210	mm	-
	B	33	mm	-
基本额定载荷	C	153000	N	动载荷
	C_0	166000	N	静载荷
疲劳载荷极限	P_u	5300	N	-
可达转速	Grease	7500	r/min	-
	Oil-air	12000	r/min	-
重量	重量	2850	g	-
型号	型号	7028 CD/HCP4AL	-	-

SKF 7028 CD/HCP4AL 图片



Ball diameter 22,225

Number of balls 22

未安装时的预载荷 [N]

背对背配置，面对面配置

预载荷等级

A	B	C	D
570	1140	2280	4560

Static axial stiffness [N/μm]

(guideline value)

预载荷等级

A	B	C	D
168	228	320	464

Reference grease quantity [cm³]

G_{ref} 45

计算系数

for equivalent bearing load

f_0 15,8

for preload in mounted bearing sets

f 1,16

f_1 1

f_{2A} 1

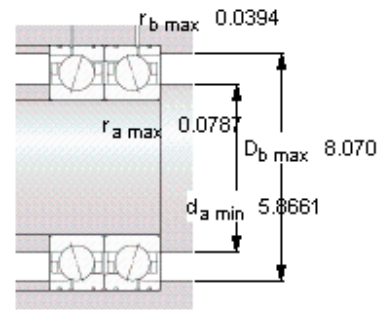
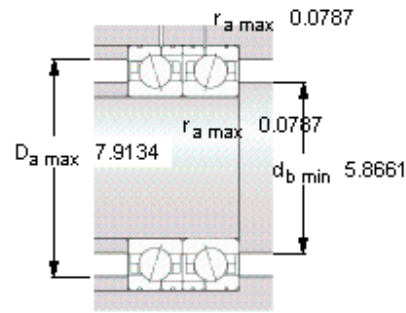
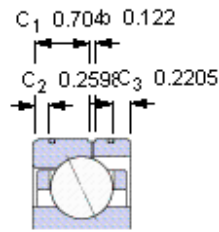
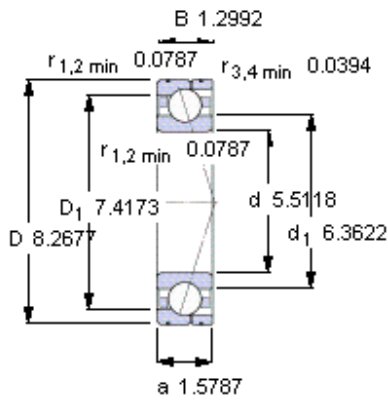
f_{2B} 1,02

f_{2C} 1,05

f_{2D} 1,09

f_{HC} 1,02

参考资料: <http://www.sozhou.com/p/f52b2be2.html>



Ball diameter 22,225

Number of balls 22

未安装时的预载荷 [N]

背对背配置，面对面配置

预载荷等级

A	B	C	D
570	1140	2280	4560

Static axial stiffness [N/μm]

(guideline value)

预载荷等级

A	B	C	D
168	228	320	464

Reference grease quantity [cm³]

G_{ref} 45

计算系数

for equivalent bearing load

f₀ 15,8

for preload in mounted bearing sets

f 1,16

f₁ 1

f_{2A} 1

f_{2B} 1,02

f_{2C} 1,05

f_{2D} 1,09

f_{HC} 1,02