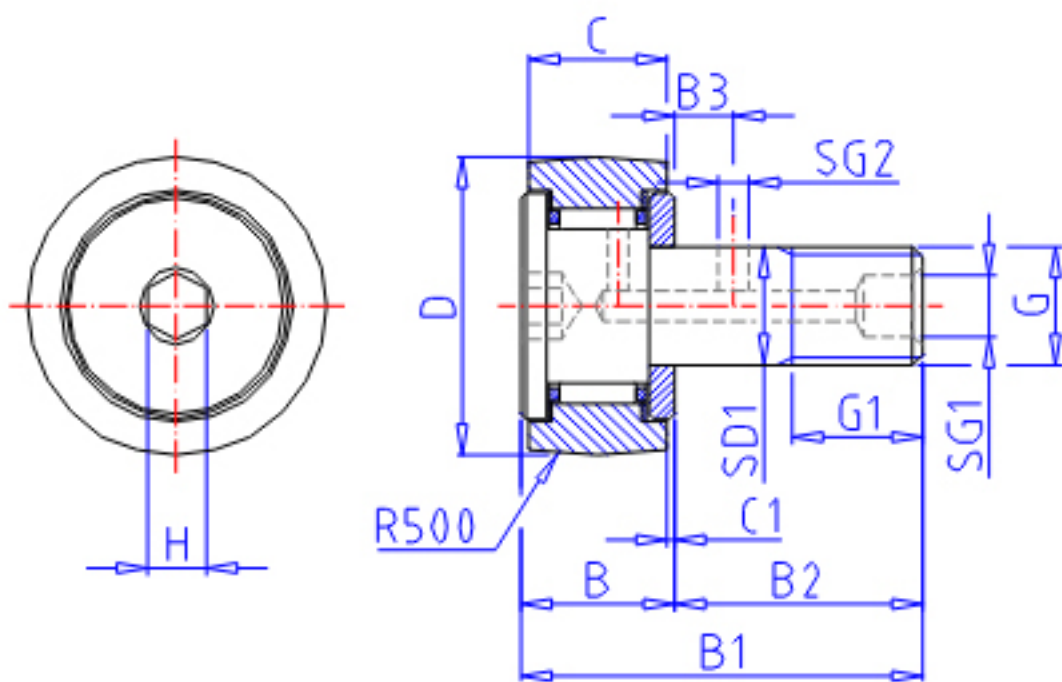


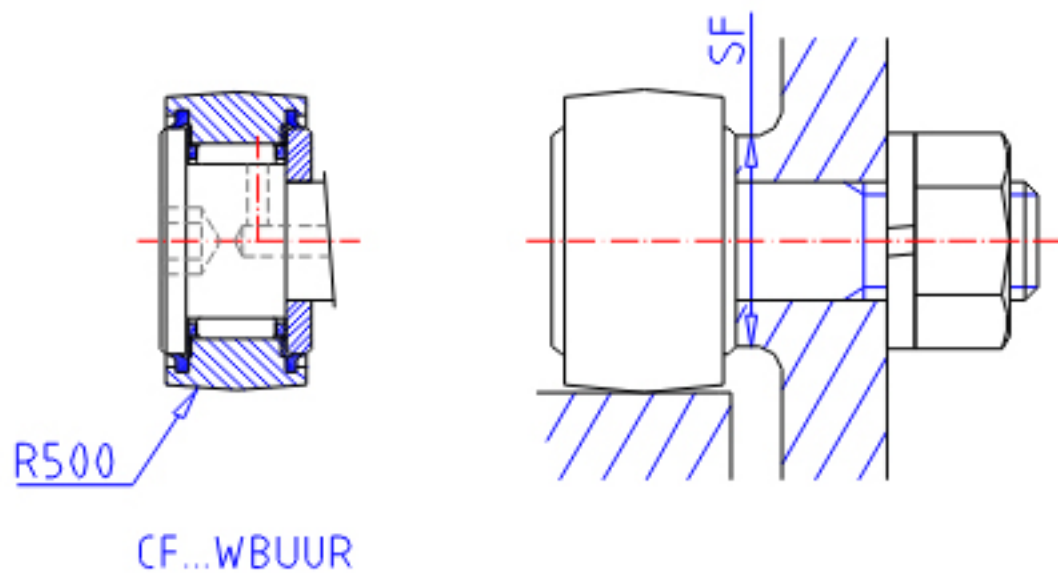
IKO CF 12-1WBUUR参数

| | | | | | |
|----------|--------|--------------|-------|----------|---|
| 杆端直径 | STDRT | 12 | mm | 杆端直径 | |
| 型号 | ORDER | CF 12-1WBUUR | | 型号 | |
| 重量 | MASS | 105.0 | g | 重量 | |
| 主要尺寸 | D | 32 | mm | - | |
| | C | 14 | mm | - | |
| | SD1 | 12 | mm | - | |
| | G | M12x1.5 | | 螺纹规格 | |
| | G1 | 13.0 | mm | 螺纹尺寸 | |
| | B | 15.2 | mm | - | |
| | B1 | 40.2 | mm | - | |
| | B2 | 25.0 | mm | - | |
| | B3 | 6 | mm | - | |
| | C1 | 0.6 | mm | - | |
| | SG1 | 6 | mm | - | |
| | SG2 | 3 | mm | - | |
| | H | 6.0 | mm | - | |
| | 安装尺寸 | SF | 21.0 | mm | - |
| | 最大拧紧扭矩 | TRQ | 21.90 | N. m | - |
| 基本额定载荷 | CR | 7910 | N | 动载荷 | |
| | COR | 9790 | N | 静载荷 | |
| 最大静态容许负荷 | FMAX | 9790 | N | 最大静态容许负荷 | |

IKO CF 12-1WBUUR图片



CF...WBR



参考资料:<http://www.sozhou.com/p/f57071b8.html>

