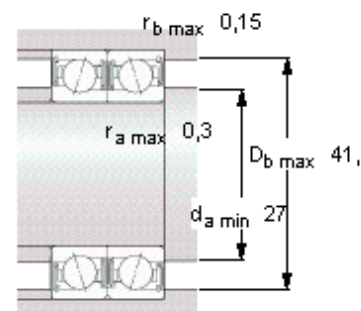
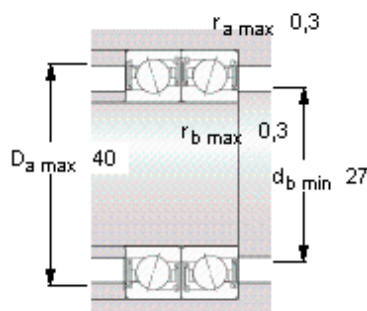
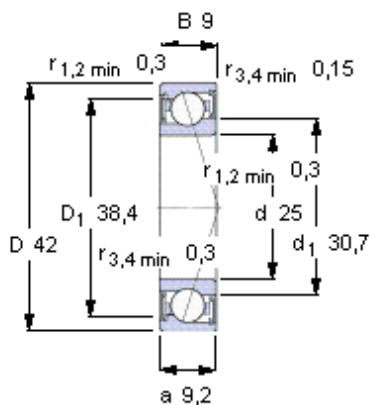


SKF S71905 CE/P4A参数

主要尺寸	d	25	mm	-
	D	42	mm	-
	B	9	mm	-
基本额定载荷	C	5270	N	动载荷
	C_0	2850	N	静载荷
疲劳载荷极限	P_u	120	N	-
可达转速	Grease	49000	r/min	-
	Oil-air	-	r/min	-
重量	重量	42	g	-
型号	型号	S71905 CE/P4A	-	-

SKF S71905 CE/P4A图片



Ball diameter 4,762

Number of balls 16

未安装时的预载荷 [N]

背对背配置，面对面配置

预载荷等级

A	B	C	D
28	85	170	-

Static axial stiffness [N/μm]

(guideline value)

预载荷等级

A	B	C	D
20	32	44	-

Reference grease quantity [cm³]

G_{ref} -

计算系数

for equivalent bearing load

f_0 8,1

for preload in mounted bearing sets

f 1,06

f_1 1

f_{2A} 1

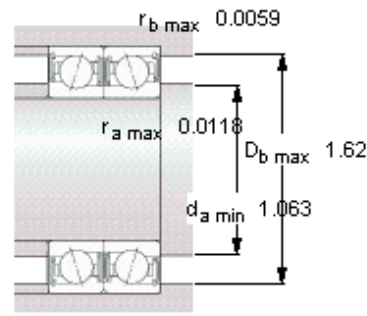
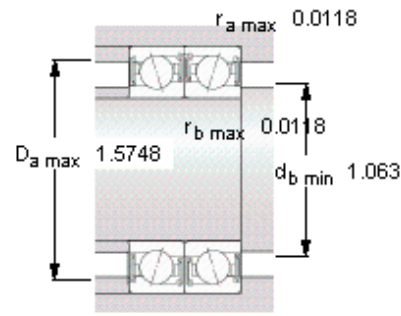
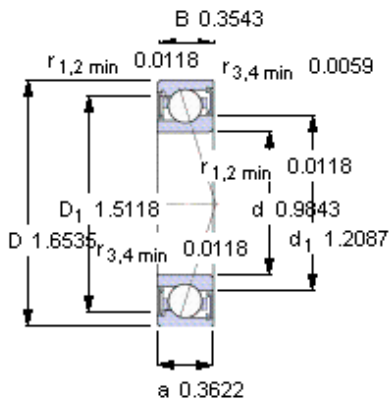
f_{2B} 1,04

f_{2C} 1,08

f_{2D} -

f_{HC} 1

参考资料: <http://www.sozhou.com/p/f94b1d4b.html>



Ball diameter 4,762
Number of balls 16

未安装时的预载荷 [N]
 背对背配置，面对面配置
 预载荷等级

A	B	C	D
28	85	170	-

Static axial stiffness [N/μm]
 (guideline value)

预载荷等级

A	B	C	D
20	32	44	-

Reference grease quantity [cm³]
 G_{ref} -

计算系数
for equivalent bearing load
 f₀ 8,1

for preload in mounted bearing sets
 f 1,06
 f₁ 1
 f_{2A} 1
 f_{2B} 1,04
 f_{2C} 1,08
 f_{2D} -
 f_{HC} 1